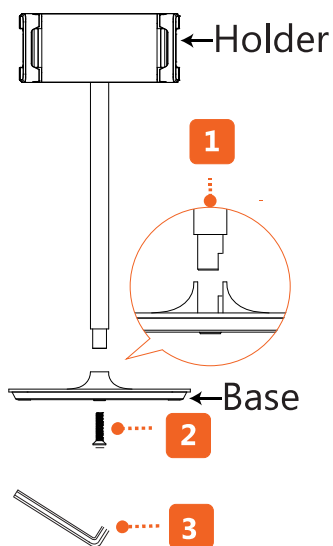


Welcome Guide

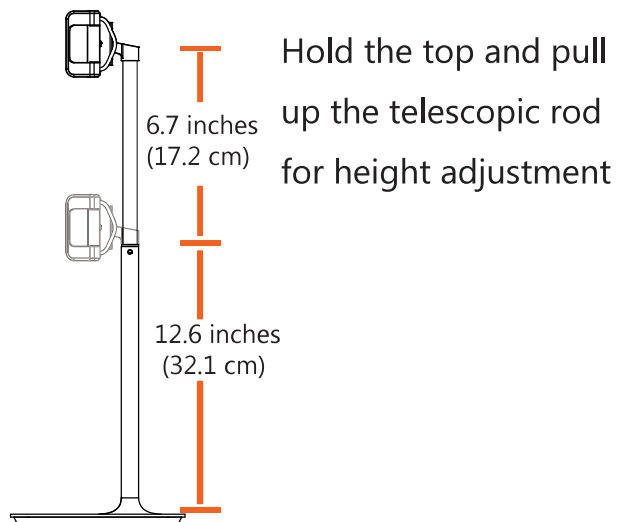
Thanks for choosing the Urbo Multi-Pivot Tablet Stand

Installation

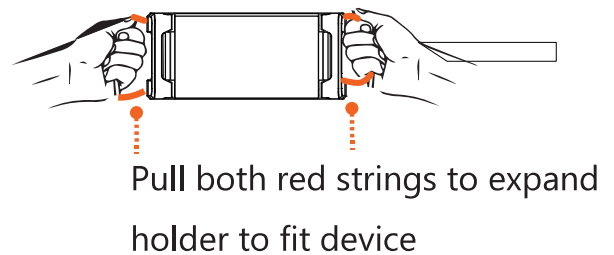


- 1 Insert rod fully into base till it clicks into position
- 2 Insert screw from the base into the rod
- 3 Tighten screw below the base with 'L' shaped key (included)

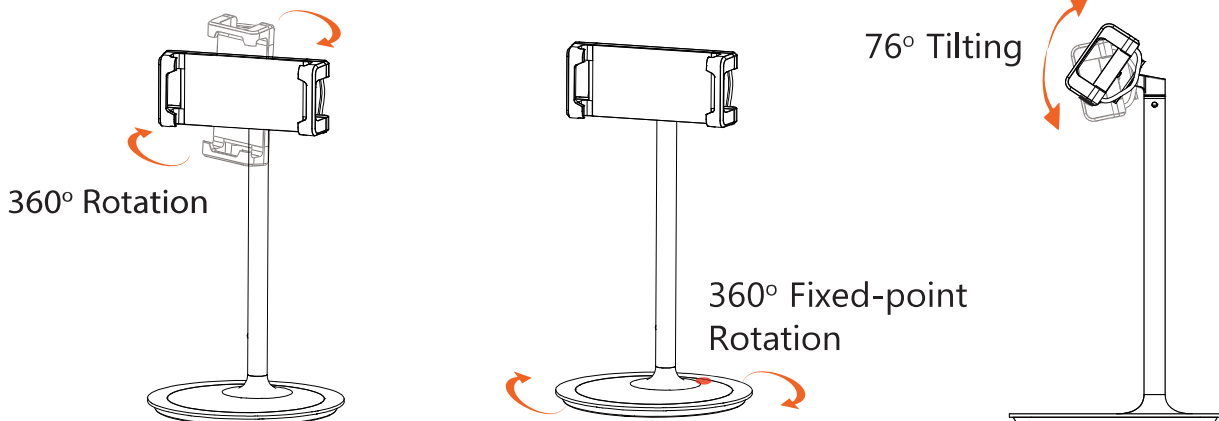
Height Adjustment



Width Adjustment



Viewing Angles



Specifications

Model	:	UR-TP1X1
Stand height	:	Min 12.6 inches (32.1 cm) - Max 19.4 inches (49.3 cm)
Base diameter	:	6.7 inches (17 cm)
Stand weight	:	2 lb (0.95 kg)
Supports weight	:	Max 2.2 lb (1 kg)
Holds devices	:	Min 4.7 inches (11.9 cm) - Max 12.9 inches (32.7 cm)
Stand material	:	Acrylonitrile butadiene styrene, Aluminum & Thermoplastic elastomer

Customer Service

We welcome any opportunity to serve you better.

You can choose how you prefer to reach us.



USA +1-203-653-2624

Netherlands +31-646-682-888



Email: support@iurbo.com



For return or exchange, please visit
www.iurbo.com/return



To register warranty, please visit
www.iurbo.com/warranty



[iurbo](https://www.facebook.com/iurbo)



[@iurbo](https://www.instagram.com/@iurbo)



[@iurbo](https://www.twitter.com/@iurbo)

URBO

www.iurbo.com

