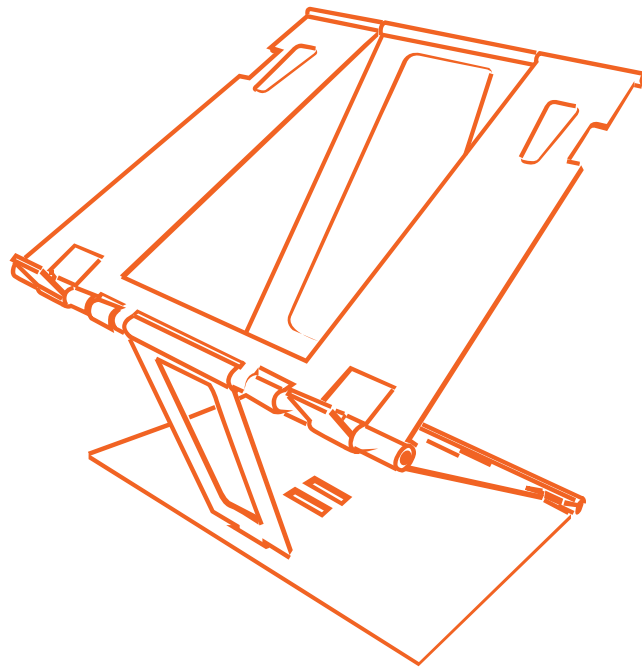


# Welcome Guide

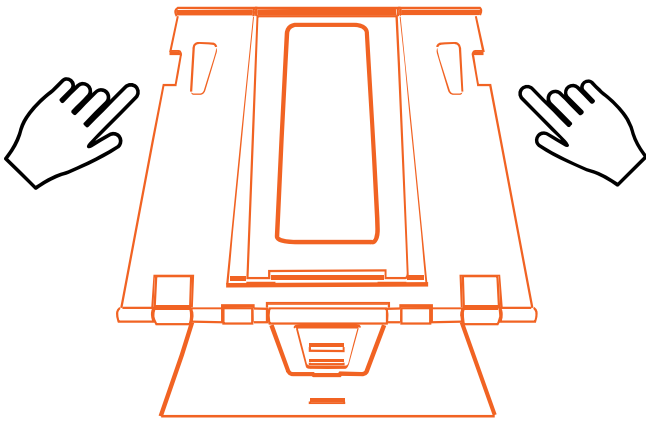
## Foldable Laptop Stand



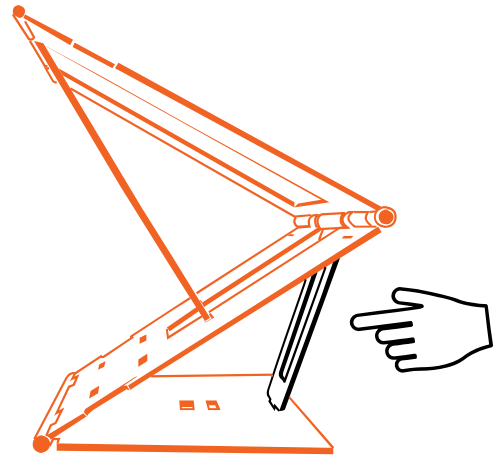
**URBO**

[www.iurbo.com](http://www.iurbo.com)

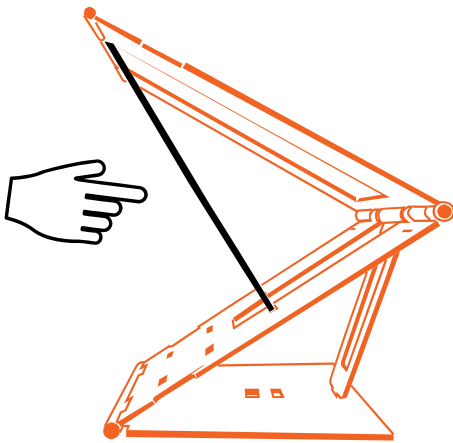
Thanks for choosing the Urbo Foldable Laptop Stand



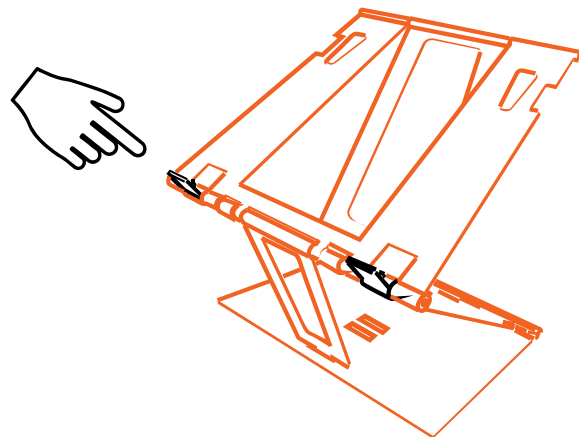
Lift stand using the notches



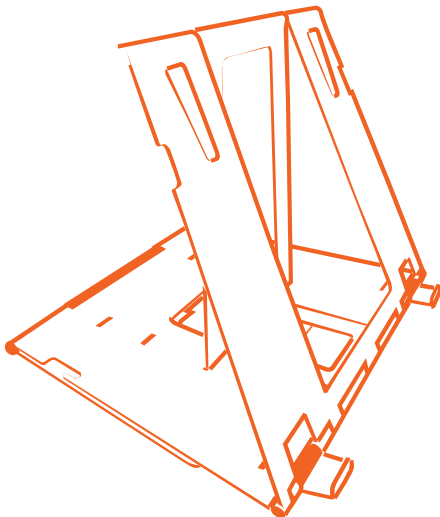
Adjust height by affixing lower support into preferred notch



Choose notch to fix upper support for desired angle



Fold out tabs to hold laptop



**Bonus feature!**

Can be used as a tablet stand too

According to Cornell University Ergonomics Web, laptops go against the basic ergonomics requirements because the keyboard and screen are not separated.

You cannot get away from a laptop, but you can invest in a stand that helps you cope with the long hours at your desk.

### FHP or Forward Head Posture

Extended use of laptops can result in Forward Head Posture <sup>[1]</sup> - an imbalanced cervical spine.

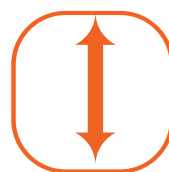
Raising the laptop screen maintains your head & neck in a healthy position.

### Ergonomics makes sense

Urbo Foldable Laptop Stand is an example of science at work. The stand gives you the ergonomic support you need since it is,



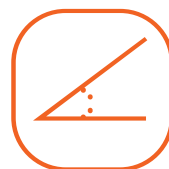
Sturdy



Height adjustable



Lightweight



Angle adjustable

### The right height

When working, the top of your laptop should be around 1 or 2 inches above your eyes <sup>[2]</sup>.

This enhances the visual field and reduces stress on your muscles and joints.

---

[1] New York Spine Surgery & Rehabilitation Medicine

[2] University of Pittsburgh

## Specifications

Model	:	UR-L8X1
Length	:	8.4 inches (21.5 cm)
Width	:	Rear - 8 inches (20.5 cm) Front - 10 inches (25.5 cm)
Height	:	Rear - 8.3 inches to 8.9 inches (21.1 cm to 22.8 cm) Front - 3.7 inches to 5.2 inches (9.4 cm to 13.3 cm)
Thickness	:	0.39 inches (1 cm)
Weight	:	1.8 lbs (820 g)
Supports weight	:	Max - 55.1 lbs (25 kg)
Materials	:	Aluminum, silicone, plastic

## Customer Service

We welcome any opportunity to serve you better.  
You can choose how you prefer to reach us.

 USA +1-203-653-2624  
Netherlands +31-646-682-888

 Email : [support@iurbo.com](mailto:support@iurbo.com)

 For return or exchange, please visit  
[www.iurbo.com/return](http://www.iurbo.com/return)

 To register warranty, please visit  
[www.iurbo.com/warranty](http://www.iurbo.com/warranty)

